

# *KleanLine*<sup>®</sup>



**AMERICAN**  
**METER COMPANY**

## Applications: Natural Gas and Process Gases

All natural gas pipelines have some degree of contamination present. Contaminants in the form of dust, dirt, rust, pipe scale, welding slag and valve grease are a potential source of problems for regulators, meters and orifices. The American KleanLine filter is designed to remove these particles without substantial pressure loss and are available in screwed and flanged connections.

### KleanLine Flanged Filters

The KleanLine Flanged Filter all steel construction was designed to meet the needs of large volume industrial and distribution applications where the pipeline MAOP can range from 175 psi to 1,440 psi. The standard filter element can remove particles to 25 microns with an optional element to remove particles as small as 10 microns. Flanged filters are available from 2" through 12" with flat or raised face flanges.



### KleanLine Inline Screwed Filters

Ideal for residential and commercial applications, KleanLine Screwed Filters will protect regulator and meter sets from the debris found in distribution piping systems. This protection can add years to your meter life as well as protect the regulator from debris that can foul orifices and impair lockup. The cast iron design of the Screwed Filter allows its use in applications up to 160 psig and is equipped with a filter element which will remove particles as small as 5 microns.

### KleanLine Pilot Filters

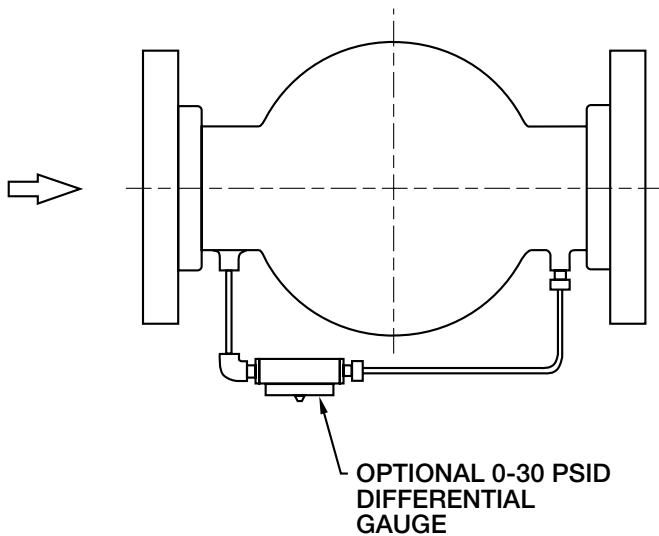
The Pilot Filter was designed to protect the pilots of pilot loaded regulators. However, their steel construction allows them to be used in any application up to 1,000 psig and will remove particles down to 5 microns.



## Maintenance

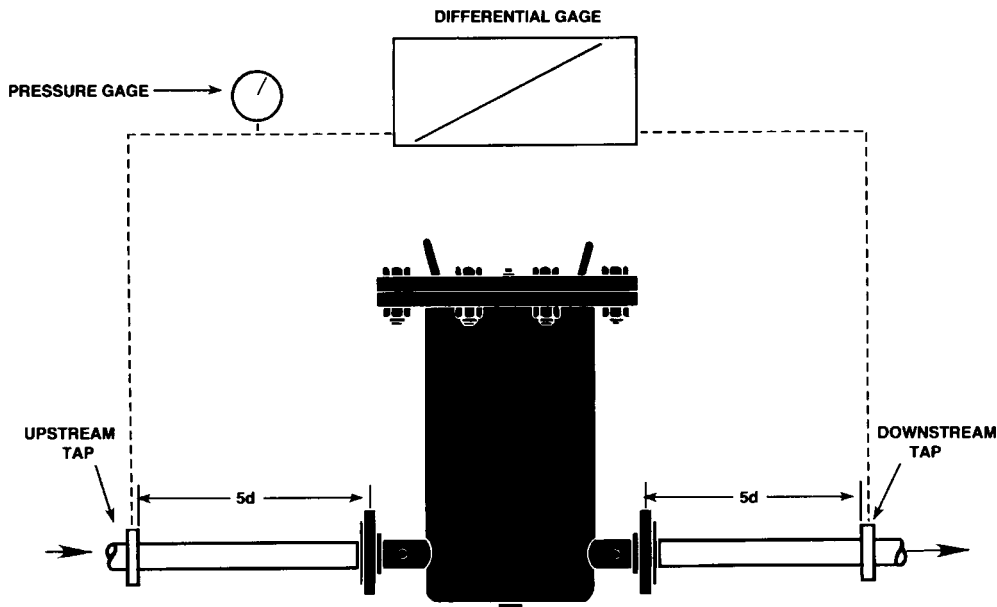
Upright KleanLine filters come standard with upstream and downstream pressure taps and an optional differential pressure gauge (Figure 1) for differential pressure measurement. Upon installing the filter, a start-up differential pressure should be recorded for comparison during later station visits. The differential pressure needed to collapse a filter element is 25 psid. Good engineering practices suggest that the element be changed at half its collapsible differential.

Servicing the KleanLine filter is made easy with the Quick Swing closure. Standard on the 2" through 12" class 175/275 and 150 series filters, the hinged top is swung out of the way while the element is replaced. For the class 300 and 600 series filters, a lifting davit is used so that one person can service the filter without the need for any heavy lifting.



## Test Installation for Capacity Tables

The capacity tables on pages 4 through 9 for KleanLine Filters are based on .60 specific gravity and are shown in SCFH and SCM<sub>H</sub> using a 25 micron element. The differential pressure listed in the capacity tables is taken from line taps as shown in the diagram to include the pressure drop created by the filter body and represent start-up conditions using a clean filter element.



## 2" Screwed KleanLine KLM Filter Capacities SCFH

Inlet PSIG	Differential Pressure (Line Taps)									
	0.5" W.C.	1" W.C.	5" W.C.	10" W.C.	20" W.C.	1 PSID	2 PSID	3 PSID	4 PSID	5 PSID
0.25	2,750	3,800	9,200	—	—	—	—	—	—	—
5	3,200	4,400	10,700	15,200	21,100	—	—	—	—	—
10	3,360	4,600	12,000	17,000	23,700	27,900	—	—	—	—
25	4,400	6,250	15,300	21,500	30,200	35,600	49,900	—	—	—
50	5,600	8,000	19,300	27,300	38,500	45,400	63,800	78,000	—	—
100	7,600	10,600	25,600	36,400	51,300	60,300	85,000	105,000	122,000	135,000
150	9,200	12,700	30,700	43,300	61,700	73,000	104,000	129,000	148,000	165,000
175	11,700	16,000	32,900	46,800	66,000	77,400	110,000	133,800	154,300	175,000

## 2" Screwed KleanLine KLM Filter Capacities SCFM

Inlet (barg)	Differential Pressure (Line Taps)									
	1 mbar	2 mbar	5 mbar	10 mbar	20 mbar	50 mbar	100 mbar	150 mbar	250 mbar	350 mbar
0.5	92	126	316	448	624	—	—	—	—	—
1	103	143	364	514	718	846	—	—	—	—
2	129	183	446	628	883	1041	1459	—	—	—
3	148	211	511	722	1018	1200	1685	—	—	—
4	166	236	569	805	1135	1338	1881	2305	—	—
5	182	257	620	879	1239	1459	2054	2524	—	—
10	253	350	845	1193	1698	2008	2859	3545	4071	4536
12	328	448	921	1,310	1,848	2,167	3,080	3,746	4,320	4,900

## 2" Flanged KleanLine Filter Capacity Tables SCFH

Inlet PSIG	Differential Pressure (Line Taps)									
	0.5" W.C.	1" W.C.	5" W.C.	10" W.C.	20" W.C.	1 PSI	2 PSI	3 PSI	4 PSI	5 PSI
1/4	4,000	5,000	12,000	—	—	—	—	—	—	—
2	4,000	6,000	13,000	18,000	25,000	29,000	—	—	—	—
5	4,000	6,000	14,000	19,000	27,000	31,000	43,000	51,000	57,000	—
10	5,000	7,000	15,000	21,000	30,000	35,000	49,000	58,000	66,000	72,000
20	6,000	8,000	18,000	26,000	36,000	42,000	59,000	71,000	80,000	88,000
30	7,000	9,000	21,000	29,000	41,000	48,000	67,000	81,000	92,000	102,000
40	7,000	10,000	23,000	32,000	45,000	53,000	74,000	90,000	103,000	114,000
50	8,000	11,000	25,000	35,000	49,000	58,000	81,000	99,000	113,000	125,000
75	9,000	13,000	29,000	41,000	58,000	68,000	96,000	117,000	134,000	149,000
100	10,000	15,000	33,000	47,000	66,000	77,000	109,000	133,000	152,000	170,000
125	12,000	16,000	36,000	51,000	73,000	85,000	120,000	147,000	169,000	188,000
150	12,000	18,000	39,000	56,000	79,000	93,000	131,000	160,000	184,000	205,000
200	14,000	20,000	45,000	64,000	90,000	106,000	149,000	183,000	210,000	235,000
250	16,000	22,000	50,000	71,000	100,000	118,000	166,000	203,000	234,000	261,000
300	17,000	24,000	55,000	77,000	109,000	128,000	181,000	222,000	255,000	285,000
400	20,000	28,000	63,000	89,000	125,000	147,000	208,000	255,000	294,000	328,000
500	22,000	31,000	70,000	99,000	140,000	164,000	232,000	284,000	327,000	366,000
600	24,000	34,000	76,000	108,000	153,000	179,000	254,000	310,000	358,000	400,000
700	26,000	37,000	82,000	116,000	164,000	194,000	274,000	335,000	386,000	432,000
800	28,000	39,000	88,000	124,000	176,000	207,000	292,000	358,000	413,000	461,000
900	29,000	42,000	93,000	132,000	186,000	219,000	310,000	379,000	437,000	489,000
1000	31,000	44,000	98,000	139,000	196,000	231,000	326,000	399,000	461,000	515,000
1100	32,000	46,000	103,000	145,000	205,000	242,000	342,000	418,000	483,000	540,000
1200	34,000	48,000	107,000	152,000	214,000	252,000	357,000	437,000	504,000	563,000
1300	35,000	50,000	112,000	158,000	223,000	263,000	371,000	454,000	525,000	586,000
1400	37,000	52,000	116,000	164,000	231,000	272,000	385,000	471,000	544,000	608,000
1440	37,000	52,000	117,000	166,000	235,000	276,000	391,000	478,000	552,000	617,000

## 2" Flanged KleanLine Filter Capacity Tables SCFM

Inlet Gauge Pressure Bars (100 kPa)	Millibar (0.1 kPa) Differential Pressure (Line Taps)									
	1 mb	2 mb	5 mb	10 mb	20 mb	50 mb	100 mb	150 mb	250 mb	350 mb
0.5	115	163	257	363	512	801	1 110	1 340	1 660	1 890
1	133	188	297	420	592	929	1 300	1 570	1 970	2 260
2	163	230	364	514	726	1 140	1 600	1 950	2 470	2 870
3	188	266	420	594	839	1 320	1 860	2 260	2 880	3 360
4	210	297	470	665	939	1 480	2 080	2 540	3 240	3 800
5	230	326	515	728	1 030	1 620	2 290	2 790	3 570	4 180
10	312	441	698	986	1 390	2 200	3 110	3 800	4 880	5 740
15	376	532	841	1 190	1 680	2 660	3 750	4 590	5 900	6 960
20	431	610	964	1 360	1 930	3 050	4 300	5 260	6 780	8 000
25	480	678	1 070	1 520	2 140	3 390	4 790	5 860	7 550	8 910
30	524	741	1 170	1 660	2 340	3 700	5 230	6 400	8 250	9 740
40	602	852	1 350	1 900	2 690	4 260	6 020	7 360	9 500	11 200
50	672	950	1 500	2 120	3 000	4 750	6 710	8 220	10 600	12 500
60	735	1 040	1 640	2 320	3 290	5 190	7 340	8 990	11 600	13 700
70	793	1 120	1 770	2 510	3 540	5 600	7 920	9 700	12 500	14 800
80	847	1 200	1 890	2 680	3 790	5 990	8 460	10 400	13 400	15 800
90	898	1 270	2 010	2 840	4 010	6 340	8 970	11 000	14 200	16 800
100	946	1 340	2 110	2 990	4 230	6 680	9 450	11 600	14 900	17 700

### 3" Flanged KleanLine Filter Capacity Tables SCFH

Inlet PSIG	Differential Pressure (Line Taps)									
	0.5" W.C.	1" W.C.	5" W.C.	10" W.C.	20" W.C.	1 PSI	2 PSI	3 PSI	4 PSI	5 PSI
1/4	7,000	10,000	23,000	—	—	—	—	—	—	—
2	8,000	11,000	24,000	34,000	48,000	56,000	—	—	—	—
5	8,000	12,000	26,000	37,000	52,000	61,000	83,000	99,000	111,000	—
10	9,000	13,000	30,000	42,000	58,000	68,000	95,000	113,000	128,000	139,000
20	11,000	16,000	35,000	49,000	69,000	81,000	113,000	137,000	155,000	171,000
30	13,000	18,000	40,000	56,000	79,000	93,000	130,000	157,000	179,000	198,000
40	14,000	20,000	44,000	62,000	88,000	103,000	144,000	175,000	200,000	221,000
50	15,000	21,000	48,000	68,000	95,000	112,000	157,000	191,000	218,000	242,000
75	18,000	25,000	56,000	80,000	112,000	132,000	186,000	226,000	260,000	289,000
100	20,000	29,000	64,000	90,000	127,000	149,000	210,000	257,000	295,000	328,000
125	22,000	31,000	70,000	99,000	140,000	165,000	233,000	284,000	327,000	364,000
150	24,000	34,000	76,000	108,000	153,000	179,000	253,000	309,000	355,000	396,000
200	28,000	39,000	87,000	123,000	174,000	205,000	289,000	353,000	407,000	454,000
250	31,000	43,000	97,000	137,000	194,000	228,000	321,000	393,000	453,000	505,000
300	33,000	47,000	106,000	149,000	211,000	248,000	351,000	429,000	494,000	552,000
400	38,000	54,000	121,000	171,000	242,000	285,000	403,000	493,000	568,000	634,000
500	43,000	60,000	135,000	191,000	270,000	318,000	449,000	549,000	634,000	708,000
600	47,000	66,000	148,000	209,000	295,000	347,000	491,000	601,000	639,000	774,000
700	50,000	71,000	159,000	225,000	318,000	374,000	529,000	648,000	747,000	835,000
800	54,000	76,000	170,000	240,000	340,000	400,000	565,000	692,000	798,000	892,000
900	57,000	81,000	180,000	255,000	360,000	424,000	599,000	733,000	846,000	945,000
1000	60,000	85,000	190,000	268,000	379,000	446,000	631,000	772,000	891,000	996,000
1100	63,000	89,000	199,000	281,000	397,000	468,000	661,000	810,000	934,000	1,044,000
1200	66,000	93,000	208,000	293,000	415,000	488,000	690,000	845,000	976,000	1,090,000
1300	68,000	97,000	216,000	305,000	432,000	508,000	718,000	879,000	1,015,000	1,134,000
1400	71,000	100,000	224,000	317,000	448,000	527,000	745,000	912,000	1,053,000	1,177,000
1440	72,000	102,000	227,000	321,000	454,000	534,000	756,000	925,000	1,068,000	1,193,000

### 3" Flanged KleanLine Filter Capacity Tables SCFM

Inlet Gauge Pressure Bars (100 kPa)	Millibar (0.1 kPa) Differential Pressure (Line Taps)									
	1 mb	2 mb	5 mb	10 mb	20 mb	50 mb	100 mb	150 mb	250 mb	350 mb
0.5	223	315	498	703	990	1 550	2 150	2 590	3 220	3 650
1	257	364	575	812	1 150	1 800	2 510	3 030	3 810	4 370
2	315	446	704	995	1 410	2 210	3 100	3 760	4 770	5 540
3	364	515	814	1 150	1 620	2 560	3 590	4 370	5 570	6 510
4	407	576	910	1 290	1 820	2 860	4 030	4 910	6 270	7 340
5	446	630	997	1 410	1 990	3 140	4 420	5 390	6 900	8 090
10	604	854	1 350	1 910	2 700	4 260	6 010	7 340	9 440	11 100
15	728	1 030	1 630	2 300	3 250	5 140	7 260	8 880	11 400	13 500
20	834	1 180	1 870	2 640	3 730	5 890	8 320	10 200	13 100	15 500
25	928	1 310	2 080	2 930	4 150	6 560	9 260	11 300	14 600	17 200
30	1 010	1 430	2 270	3 200	4 530	7 160	10 100	12 400	16 000	18 900
40	1 170	1 650	2 610	3 690	5 210	8 240	11 600	14 200	18 400	21 700
50	1 300	1 840	2 910	4 110	5 810	9 190	13 000	15 900	20 500	24 200
60	1 420	2 010	3 180	4 500	6 360	10 000	14 200	17 400	22 400	26 500
70	1 530	2 170	3 430	4 850	6 860	10 800	15 300	18 800	24 200	28 600
80	1 640	2 320	3 660	5 180	7 330	11 600	16 400	20 000	25 900	30 600
90	1 740	2 460	3 880	5 490	7 760	12 300	17 400	21 300	27 400	32 400
100	1 830	2 590	4 090	5 780	8 180	12 900	18 300	22 400	28 900	34 200

## 4" Flanged KleanLine Filter Capacity Tables SCFH

Inlet PSIG	Differential Pressure (Line Taps)									
	0.5" W.C.	1" W.C.	5" W.C.	10" W.C.	20" W.C.	1 PSI	2 PSI	3 PSI	4 PSI	5 PSI
1/4	12,000	17,000	37,000	—	—	—	—	—	—	—
2	12,000	18,000	39,000	55,000	77,000	90,000	—	—	—	—
5	13,000	19,000	42,000	60,000	84,000	98,000	135,000	160,000	179,000	—
10	15,000	21,000	48,000	67,000	94,000	110,000	152,000	182,000	206,000	224,000
20	18,000	25,000	56,000	80,000	112,000	131,000	183,000	221,000	251,000	276,000
30	20,000	29,000	64,000	90,000	127,000	149,000	209,000	253,000	288,000	319,000
40	22,000	32,000	71,000	100,000	141,000	166,000	232,000	282,000	322,000	356,000
50	24,000	35,000	77,000	109,000	154,000	180,000	253,000	308,000	352,000	391,000
75	29,000	41,000	91,000	128,000	181,000	213,000	299,000	365,000	419,000	465,000
100	33,000	46,000	103,000	145,000	205,000	241,000	339,000	414,000	476,000	529,000
125	36,000	51,000	113,000	160,000	226,000	266,000	375,000	458,000	527,000	587,000
150	39,000	55,000	123,000	174,000	246,000	289,000	408,000	498,000	573,000	639,000
200	44,000	63,000	141,000	199,000	281,000	330,000	466,000	570,000	656,000	732,000
250	49,000	70,000	156,000	221,000	312,000	367,000	518,000	633,000	730,000	814,000
300	54,000	76,000	170,000	241,000	340,000	400,000	565,000	691,000	797,000	889,000
400	62,000	87,000	195,000	276,000	391,000	460,000	649,000	794,000	916,000	1,023,000
500	69,000	97,000	218,000	308,000	435,000	512,000	724,000	886,000	1,022,000	1,141,000
600	75,000	106,000	238,000	337,000	476,000	560,000	791,000	968,000	1,117,000	1,248,000
700	81,000	115,000	257,000	363,000	513,000	604,000	853,000	1,044,000	1,205,000	1,346,000
800	87,000	123,000	274,000	387,000	548,000	645,000	911,000	1,115,000	1,287,000	1,438,000
900	92,000	130,000	290,000	411,000	581,000	683,000	966,000	1,182,000	1,364,000	1,524,000
1000	97,000	137,000	306,000	432,000	611,000	720,000	1,017,000	1,245,000	1,437,000	1,606,000
1100	101,000	143,000	321,000	453,000	641,000	754,000	1,066,000	1,305,000	1,507,000	1,684,000
1200	106,000	150,000	335,000	473,000	669,000	787,000	1,113,000	1,363,000	1,573,000	1,758,000
1300	110,000	156,000	348,000	492,000	696,000	819,000	1,158,000	1,418,000	1,637,000	1,829,000
1400	114,000	161,000	361,000	511,000	722,000	850,000	1,201,000	1,471,000	1,698,000	1,898,000
1440	116,000	164,000	366,000	518,000	732,000	862,000	1,218,000	1,492,000	1,722,000	1,924,000

## 4" Flanged KleanLine Filter Capacity Tables SCFM

Inlet Gauge Pressure Bars (100 kPa)	Millibar (0.1 kPa) Differential Pressure (Line Taps)									
	1 mb	2 mb	5 mb	10 mb	20 mb	50 mb	100 mb	150 mb	250 mb	350 mb
0.5	359	508	802	1 130	1 600	2 500	3 470	4 180	5 190	5 890
1	415	587	927	1 310	1 850	2 900	4 050	4 890	6 140	7 050
2	508	719	1 140	1 600	2 270	3 560	5 000	6 070	7 700	8 940
3	587	830	1 310	1 850	2 620	4 120	5 800	7 050	8 990	10 500
4	656	928	1 470	2 070	2 930	4 620	6 500	7 920	10 100	11 800
5	719	1 020	1 610	2 270	3 210	5 060	7 130	8 690	11 100	13 100
10	973	1 380	2 180	3 080	4 350	6 870	9 690	11 800	15 200	17 900
15	1 170	1 660	2 620	3 710	5 250	8 290	11 700	14 300	18 400	21 700
20	1 340	1 990	3 010	4 250	6 010	9 500	13 400	16 400	21 100	25 000
25	1 500	2 120	3 350	4 730	6 690	10 600	14 900	18 300	23 500	27 800
30	1 630	2 310	3 650	5 170	7 310	11 500	16 300	20 000	25 700	30 400
40	1 880	2 660	4 200	5 940	8 400	13 300	18 800	23 000	29 600	35 000
50	2 100	2 960	4 690	6 630	9 370	14 800	20 900	25 600	33 100	39 100
60	2 290	3 240	5 130	7 250	10 200	16 200	22 900	28 000	36 200	42 800
70	2 470	3 500	5 530	7 820	11 100	17 500	24 700	30 300	39 000	46 200
80	2 640	3 740	5 910	8 350	11 800	18 700	26 400	32 300	41 700	49 300
90	2 800	3 960	6 260	8 850	12 500	19 800	28 000	34 300	44 200	52 300
100	2 950	4 170	6 600	9 330	13 200	20 900	29 500	36 100	46 600	55 100

## 6" Flanged KleanLine Filter Capacity Tables SCFH

Inlet PSIG	Differential Pressure (Line Taps)									
	0.5" W.C.	1" W.C.	5" W.C.	10" W.C.	20" W.C.	1 PSI	2 PSI	3 PSI	4 PSI	5 PSI
1/4	27,000	39,000	86,000	—	—	—	—	—	—	—
2	29,000	41,000	91,000	128,000	179,000	209,000	—	—	—	—
5	31,000	44,000	99,000	140,000	195,000	228,000	314,000	374,000	419,000	—
10	35,000	50,000	111,000	156,000	220,000	257,000	356,000	426,000	480,000	524,000
20	42,000	59,000	132,000	186,000	261,000	306,000	427,000	515,000	585,000	643,000
30	47,000	67,000	150,000	211,000	297,000	349,000	488,000	590,000	673,000	744,000
40	52,000	74,000	166,000	234,000	329,000	387,000	542,000	657,000	752,000	832,000
50	57,000	81,000	180,000	254,000	359,000	421,000	591,000	718,000	822,000	912,000
75	67,000	95,000	212,000	300,000	423,000	497,000	699,000	851,000	977,000	1,086,000
100	76,000	107,000	240,000	339,000	479,000	563,000	792,000	966,000	1,110,000	1,236,000
125	84,000	118,000	265,000	374,000	529,000	621,000	876,000	1,069,000	1,229,000	1,369,000
150	91,000	129,000	288,000	406,000	574,000	675,000	952,000	1,162,000	1,338,000	1,491,000
200	104,000	147,000	328,000	464,000	656,000	771,000	1,088,000	1,330,000	1,532,000	1,709,000
250	115,000	163,000	365,000	515,000	728,000	857,000	1,209,000	1,478,000	1,704,000	1,901,000
300	126,000	178,000	398,000	562,000	794,000	935,000	1,320,000	1,614,000	1,860,000	2,076,000
400	144,000	204,000	456,000	645,000	912,000	1,073,000	1,516,000	1,854,000	2,139,000	2,388,000
500	161,000	227,000	508,000	719,000	1,016,000	1,196,000	1,690,000	2,067,000	2,385,000	2,664,000
600	176,000	249,000	556,000	786,000	1,111,000	1,307,000	1,847,000	2,260,000	2,608,000	2,913,000
700	189,000	268,000	599,000	847,000	1,198,000	1,410,000	1,992,000	2,438,000	2,813,000	3,143,000
800	202,000	286,000	640,000	905,000	1,279,000	1,505,000	2,127,000	2,604,000	3,005,000	3,357,000
900	214,000	303,000	678,000	958,000	1,355,000	1,595,000	2,254,000	2,759,000	3,185,000	3,559,000
1000	226,000	319,000	714,000	1,010,000	1,427,000	1,680,000	2,375,000	2,977,000	3,355,000	3,749,000
1100	237,000	335,000	748,000	1,058,000	1,496,000	1,761,000	2,489,000	3,047,000	3,517,000	3,930,000
1200	247,000	349,000	781,000	1,105,000	1,562,000	1,838,000	2,599,000	3,181,000	3,672,000	4,104,000
1300	257,000	363,000	813,000	1,149,000	1,625,000	1,912,000	2,704,000	3,310,000	3,820,000	4,270,000
1400	267,000	377,000	843,000	1,192,000	1,686,000	1,984,000	2,805,000	3,434,000	3,964,000	4,430,000
1440	270,000	382,000	855,000	1,209,000	1,709,000	2,012,000	2,844,000	3,482,000	4,019,000	4,492,000

## 6" Flanged KleanLine Filter Capacity Tables SCFM

Inlet Gauge Pressure Bars (100 kPa)	Millibar (0.1 kPa) Differential Pressure (Line Taps)									
	1 mb	2 mb	5 mb	10 mb	20 mb	50 mb	100 mb	150 mb	250 mb	350 mb
0.5	839	1 190	1 870	2 640	3 730	5 830	8 110	9 750	12 100	13 700
1	969	1 370	2 160	3 060	4 310	6 770	9 440	11 400	14 300	16 500
2	1 190	1 680	2 650	3 750	5 290	8 320	11 700	14 200	18 000	20 900
3	1 370	1 940	3 060	4 330	6 110	9 630	13 500	16 500	21 000	24 500
4	1 530	2 170	3 420	4 840	6 840	10 800	15 200	18 500	23 600	27 600
5	1 680	2 370	3 750	5 300	7 490	11 800	16 600	20 300	26 000	30 500
10	2 270	3 210	5 080	7 180	10 200	16 000	22 600	27 600	35 500	41 800
15	2 740	3 880	6 130	8 660	12 200	19 300	27 300	33 400	43 000	50 700
20	3 140	4 440	7 020	9 930	14 000	22 200	31 300	38 300	49 300	58 300
25	3 490	4 940	7 810	11 000	15 600	24 700	34 900	42 700	55 000	64 900
30	3 810	5 390	8 530	12 100	17 100	27 000	38 100	46 600	60 100	71 000
40	4 390	6 200	9 810	13 900	19 600	31 000	43 800	53 600	69 200	81 700
50	4 890	6 920	10 900	15 500	21 900	34 600	48 900	59 800	77 200	91 200
60	5 350	7 570	12 000	16 900	23 900	37 800	53 500	65 500	84 400	99 800
70	5 770	8 160	12 900	18 300	25 800	40 800	57 700	70 600	91 100	108 000
80	6 170	8 720	13 800	19 500	27 600	43 600	61 600	75 500	97 400	115 000
90	6 540	9 240	14 600	20 700	29 200	46 200	65 300	80 000	103 000	122 000
100	6 890	9 740	15 400	21 800	30 800	48 700	68 800	84 300	109 000	129 000

## 8" KleanLine Filter Capacity Tables SCFH

Inlet PSIG	Differential Pressure (Line Taps)									
	0.5" W.C.	1" W.C.	5" W.C.	10" W.C.	20" W.C.	1 PSID	2 PSID	3 PSID	4 PSID	5 PSID
0.25	57,000	68,000	78,000	—	—	—	—	—	—	—
2	60,000	71,000	120,000	210,000	—	—	—	—	—	—
5	64,000	76,000	160,000	250,000	360,000	490,000	—	—	—	—
10	75,000	108,000	245,000	346,000	490,000	561,750	802,000	1,000,000	—	—
20	86,000	120,000	280,000	410,000	570,000	705,250	930,000	1,160,000	1,300,000	—
30	103,000	144,000	331,000	480,000	680,000	841,600	1,140,000	1,400,000	1,600,000	1,800,000
40	112,000	157,000	363,000	522,000	740,000	970,800	1,230,000	1,520,000	1,750,000	1,920,000
50	121,000	170,000	393,000	560,000	790,000	1,100,000	1,300,000	1,620,000	1,871,000	2,090,000
75	140,000	200,000	460,000	658,000	945,000	1,300,000	1,560,000	1,908,000	2,200,000	2,450,000
100	165,000	230,000	520,000	740,000	1,120,000	1,600,000	1,770,000	2,150,000	2,490,000	2,780,000
125	182,000	260,000	575,000	820,000	1,190,000	1,750,000	1,950,000	2,370,000	2,750,000	3,050,000
150	200,000	280,000	632,000	890,000	1,260,000	1,900,000	2,115,000	2,600,000	2,990,000	3,300,000
200	220,000	321,000	723,000	1,024,000	1,449,000	2,100,000	2,400,000	3,010,000	3,400,000	3,800,000
250	250,000	356,000	800,000	1,120,000	1,600,000	2,190,000	2,650,000	3,700,000	3,850,000	4,300,000
300	277,000	390,000	870,000	1,200,000	1,750,000	2,270,000	2,990,000	4,000,000	4,230,000	4,700,000
400	285,000	450,000	950,000	1,400,000	2,050,000	2,330,000	3,450,000	4,640,000	4,800,000	5,300,000
500	293,000	501,000	1,120,000	1,580,000	2,350,000	2,800,000	3,950,000	5,200,000	5,380,000	5,900,000
600	340,000	547,000	1,220,000	1,740,000	2,550,000	3,050,000	4,350,000	5,600,000	5,800,000	6,400,000
700	417,000	590,000	1,330,000	1,910,000	2,750,000	3,280,000	4,750,000	5,800,000	6,240,000	6,900,000
800	—	635,000	1,420,000	2,010,000	2,900,000	3,400,000	4,900,000	6,300,000	6,600,000	7,430,000
900	—	675,000	1,540,000	2,170,000	3,100,000	3,800,000	5,200,000	6,500,000	7,000,000	7,800,000
1000	—	—	1,600,000	2,300,000	3,300,000	4,100,000	5,500,000	6,700,000	7,400,000	8,280,000
1100	—	—	—	2,470,000	3,450,000	4,250,000	5,700,000	6,840,000	7,750,000	8,600,000
1200	—	—	—	2,650,000	3,600,000	4,400,000	5,900,000	7,090,000	8,100,000	9,000,000
1300	—	—	—	2,730,000	3,700,000	4,500,000	6,100,000	7,350,000	8,400,000	9,400,000
1400	—	—	—	—	3,800,000	4,600,000	6,350,000	7,580,000	8,750,000	9,780,000
1440	—	—	—	—	3,900,000	4,750,000	6,550,000	7,800,000	9,000,000	10,000,000

## 8" KleanLine Filter Capacity Tables SCFM

Inlet (barg)	Differential Pressure (Line Taps)									
	1 mbar	2 mbar	5 mbar	10 mbar	20 mbar	50 mbar	100 mbar	150 mbar	250 mbar	350 mbar
0.5	1931	2531	5551	8210	11718	14624	—	—	—	—
1	2239	3175	7301	10494	14728	17537	24069	30016	—	—
2	2836	3965	9125	13244	18732	23183	31332	38528	43960	—
3	3224	4523	10458	14988	21210	28449	35126	43540	50186	55426
4	3558	5029	11604	16558	23509	32592	38730	47940	55336	61746
5	3867	5516	12692	18150	26026	35840	42952	52618	60679	67592
10	5499	7728	17377	24528	34888	52360	58296	71512	82376	91000
15	6446	9321	20977	29586	42010	59657	69580	90849	99484	111160
20	7605	10730	23968	33152	48160	63112	81816	110320	116312	129360
30	8058	13100	28266	40964	60340	69846	101500	135408	140084	154280
40	9257	15058	33600	47824	70280	84000	119560	154560	160048	176400
50	—	16835	37870	54180	78050	92680	134050	165900	177240	196910
60	—	18564	42112	59416	85120	103040	143080	180320	192640	215292
70	—	—	—	65114	93030	115430	154840	188188	208670	233184
80	—	—	—	72184	99120	121520	162960	195720	222880	247520
90	—	—	—	—	103740	126140	171150	206122	235690	263732
100	—	—	—	—	110436	134506	185476	220872	254853	283170

Flow In Standard Cubic Meters Per Hour of 0.6 Specific Gravity Gas

## 10" Flanged KleanLine Filter Capacity Tables SCFH

Inlet PSIG	Differential Pressure (Line Taps)									
	0.5" W.C.	1" W.C.	5" W.C.	10" W.C.	20" W.C.	1 PSID	2 PSID	3 PSID	4 PSID	5 PSID
0.25	84,000	125,000	—	—	—	—	—	—	—	—
2	95,000	135,000	270,000	380,000	540,000	—	—	—	—	—
5	105,000	145,000	350,000	505,000	725,000	910,000	—	—	—	—
10	130,000	184,000	410,000	580,000	840,000	957,500	1,360,000	1,610,000	—	—
20	150,000	215,000	480,000	680,000	970,000	1,052,500	1,600,000	2,000,000	2,300,000	—
30	164,000	248,000	570,000	830,000	1,200,000	1,360,000	1,880,000	2,300,000	2,650,000	2,980,000
40	170,000	269,000	620,000	920,000	1,350,000	1,580,000	2,000,000	2,500,000	2,800,000	3,250,000
50	178,000	290,000	680,000	1,000,000	1,500,000	1,900,000	2,450,000	2,700,000	3,100,000	3,500,000
75	220,000	340,000	790,000	1,150,000	1,700,000	2,250,000	2,800,000	3,200,000	3,800,000	4,400,000
100	260,000	380,000	900,000	1,300,000	1,900,000	2,500,000	3,100,000	3,800,000	4,500,000	5,300,000
125	300,000	420,000	980,000	1,450,000	2,100,000	2,800,000	3,350,000	4,300,000	4,900,000	5,500,000
150	350,000	452,000	1,050,000	1,600,000	2,200,000	3,000,000	3,600,000	4,800,000	5,200,000	5,700,000
200	410,000	480,000	1,120,000	1,750,000	2,500,000	3,200,000	4,200,000	5,400,000	6,100,000	6,300,000
250	470,000	540,000	1,200,000	1,900,000	2,700,000	3,400,000	4,800,000	6,100,000	7,000,000	7,800,000
300	520,000	600,000	1,350,000	2,050,000	2,900,000	3,650,000	5,200,000	6,400,000	7,600,000	8,500,000
400	580,000	660,000	1,490,000	2,250,000	3,100,000	3,900,000	5,600,000	7,000,000	8,100,000	9,100,000
500	—	730,000	1,550,000	2,380,000	3,250,000	4,200,000	6,000,000	7,600,000	8,800,000	9,900,000
600	—	800,000	1,600,000	2,500,000	3,400,000	4,500,000	6,500,000	8,200,000	9,600,000	10,800,000
700	—	—	1,670,000	2,650,000	3,650,000	4,750,000	6,800,000	8,800,000	10,100,000	11,400,000
800	—	—	—	3,100,000	4,200,000	5,400,000	7,500,000	9,480,000	11,000,000	12,500,000
900	—	—	—	—	4,800,000	5,900,000	8,000,000	10,240,000	11,200,000	13,000,000
1000	—	—	—	—	5,100,000	6,300,000	8,800,000	11,000,000	12,200,000	13,400,000
1100	—	—	—	—	5,400,000	6,600,000	9,300,000	11,700,000	12,800,000	13,900,000
1200	—	—	—	—	—	6,800,000	9,600,000	12,400,000	13,400,000	14,300,000
1300	—	—	—	—	—	7,000,000	9,950,000	13,000,000	14,200,000	15,300,000
1400	—	—	—	—	—	—	10,300,000	13,800,000	15,000,000	16,200,000
1440	—	—	—	—	—	—	—	14,400,000	15,400,000	16,500,000

## 10" Flanged KleanLine Filter Capacity Tables SCFM

Inlet (barg)	Differential Pressure (Line Taps)									
	1 mbar	2 mbar	5 mbar	10 mbar	20 mbar	50 mbar	100 mbar	150 mbar	250 mbar	350 mbar
0.5	3255	4551	10556	15085	21749	26079	—	—	—	—
1	3892	5543	12362	17500	25158	28007	41104	49994	—	—
2	4553	6852	15708	22820	32956	37219	51856	63560	73220	—
3	4838	7738	17948	26544	39270	47376	60410	71960	81340	93450
4	5360	8568	20026	29344	43792	56336	71736	80080	93072	106064
5	6042	9380	21812	31780	47040	62020	77420	88200	104440	120680
10	9520	12477	29008	43960	61040	82880	99400	131600	143920	158480
15	12051	14011	32122	50428	71904	91504	123312	157864	179368	190680
20	14280	16464	36960	56560	80080	100800	143360	177520	209440	234080
30	—	19166	42308	64274	88270	112140	160720	201880	233660	262640
40	—	22008	44520	69328	94360	124320	179200	226240	264320	297360
50	—	—	—	77350	106050	137550	195300	251160	289100	326900
60	—	—	—	—	129360	161000	219800	280336	311920	359800
70	—	—	—	—	144060	177660	248500	310940	344120	377300
80	—	—	—	—	—	188160	265440	339360	368480	395920
90	—	—	—	—	—	—	279090	365120	398720	429660
100	—	—	—	—	—	—	—	407765	436082	467231

Flow In Standard Cubic Meters Per Hour of 0.6 Specific Gravity Gas

## 12" Flanged KleanLine Filter Capacity Tables SCFH

Inlet PSIG	Differential Pressure (Line Taps)									
	0.5" W.C.	1" W.C.	5" W.C.	10" W.C.	20" W.C.	1 PSID	2 PSID	3 PSID	4 PSID	5 PSID
0.25	116,000	170,000	—	—	—	—	—	—	—	—
2	130,000	188,000	378,000	532,000	—	—	—	—	—	—
5	147,000	203,000	490,000	707,000	1,000,000	—	—	—	—	—
10	182,000	257,000	574,000	812,000	1,170,000	1,350,000	1,800,000	—	—	—
20	210,000	301,000	672,000	952,000	1,370,000	1,850,000	2,200,000	2,800,000	—	—
30	230,000	347,000	798,000	1,160,000	1,680,000	2,160,000	2,630,000	3,200,000	3,700,000	4,200,000
40	238,000	377,000	868,000	1,280,000	1,890,000	2,280,000	2,800,000	3,500,000	3,920,000	4,550,000
50	249,000	406,000	952,000	1,400,000	2,100,000	2,400,000	3,430,000	3,780,000	4,340,000	4,900,000
75	308,000	476,000	1,106,000	1,610,000	2,380,000	3,200,000	3,920,000	4,480,000	5,320,000	6,160,000
100	364,000	532,000	1,260,000	1,820,000	2,660,000	4,000,000	4,340,000	5,300,000	6,300,000	7,400,000
125	420,000	588,000	1,370,000	2,030,000	2,900,000	4,350,000	4,700,000	6,020,000	6,860,000	7,700,000
150	490,000	633,000	1,480,000	2,240,000	3,100,000	4,700,000	5,040,000	6,700,000	7,280,000	8,000,000
200	574,000	672,000	1,570,000	2,450,000	3,500,000	5,000,000	5,880,000	7,560,000	8,540,000	8,800,000
250	658,000	756,000	1,680,000	2,660,000	3,780,000	5,250,000	6,700,000	8,900,000	9,800,000	10,900,000
300	728,000	840,000	1,890,000	2,870,000	4,060,000	5,500,000	7,280,000	9,340,000	10,600,000	11,900,000
400	812,000	924,000	2,080,000	3,150,000	4,340,000	5,750,000	7,800,000	10,220,000	11,300,000	12,700,000
500	—	1,020,000	2,170,000	3,332,000	4,550,000	5,980,000	8,400,000	11,100,000	12,300,000	13,800,000
600	—	1,130,000	2,240,000	3,500,000	4,760,000	6,300,000	9,100,000	11,980,000	13,400,000	15,100,000
700	—	—	2,340,000	3,710,000	5,100,000	6,650,000	9,520,000	12,860,000	14,100,000	16,000,000
800	—	—	—	—	5,880,000	7,560,000	10,500,000	13,980,000	15,400,000	17,500,000
900	—	—	—	—	6,720,000	8,260,000	11,200,000	15,340,000	15,700,000	18,200,000
1000	—	—	—	—	7,140,000	8,800,000	12,300,000	16,400,000	17,100,000	18,800,000
1100	—	—	—	—	7,560,000	9,240,000	13,000,000	17,400,000	18,100,000	19,500,000
1200	—	—	—	—	—	9,500,000	13,400,000	18,400,000	18,800,000	20,000,000
1300	—	—	—	—	—	9,800,000	13,900,000	19,000,000	19,900,000	21,400,000
1400	—	—	—	—	—	—	14,400,000	19,500,000	20,900,000	22,700,000
1440	—	—	—	—	—	—	—	20,800,000	21,600,000	23,000,000

## 12" Flanged KleanLine Filter Capacity Tables SCFM

Inlet (barg)	Differential Pressure (Line Taps)									
	1 mb	2 mb	5 mb	10 mb	20 mb	50 mb	100 mb	150 mb	250 mb	350 mb
0.5	4557	6364	14778	21119	30142	—	—	—	—	—
1	5449	7750	17307	24500	35280	44100	55440	—	—	—
2	6384	9587	21991	31898	46172	59612	72436	88480	—	—
3	6772	10840	25127	37016	54978	65016	84574	100744	113876	130830
4	7501	11995	28036	41082	61309	74368	100430	112112	130301	148490
5	8459	13132	30537	44492	65856	87360	108388	123480	146216	168952
10	13328	17472	40824	61544	85680	129640	139216	183792	201488	222320
15	16872	19616	45007	70599	100666	142380	172446	224437	251115	266392
20	19992	23050	51744	79184	112112	152600	200592	259056	292320	327600
30	—	26813	59122	89984	123578	163254	224280	294784	326200	366380
40	—	31024	62328	97059	132104	174608	250880	330512	369040	415520
50	—	—	—	77910	148260	192570	273420	367920	403900	458500
60	—	—	—	—	181104	225400	307720	418096	437080	503720
70	—	—	—	—	201684	248248	347340	463400	483000	529340
80	—	—	—	—	—	263088	370720	504000	518560	554400
90	—	—	—	—	—	—	389900	532700	558600	601020
100	—	—	—	—	—	—	—	588994	611647	651291

Flow In Standard Cubic Meters Per Hour of 0.6 Specific Gravity Gas

# Capacity Tables 0.6 Specific Gravity

## Inline Screwed Filter SCFH

Inlet Pressure PSIG	Differential Pressure							
	1" WC	2" WC	5" WC	10" WC	20" WC	1 PSI	3 PSI	5 PSI
<b>3/4" NPT</b>								
.25	462	652	—	—	—	—	—	—
1	543	668	1050	1480	—	—	—	—
5	605	792	1180	1670	2330	2730	—	—
10	675	883	1320	1870	2620	3070	—	—
20	794	1040	1640	2220	3120	3660	6140	—
30	897	1170	1850	2520	3550	4160	7040	—
50	1070	1400	2200	3040	4280	5030	8570	10900
75	1250	1640	2580	3600	5050	5930	10200	13000
100	1410	1840	2900	4050	5650	6710	11500	14800
125	1550	2030	3190	4450	6210	7420	12800	16300
150	1680	2200	3450	4820	6720	8060	13900	17800
160	1730	2260	3550	4960	6910	8200	14500	18300

<b>1" NPT</b>								
.25	543	766	—	—	—	—	—	—
1	640	785	1240	1740	—	—	—	—
5	713	933	1390	1960	2740	3200	—	—
10	795	1040	1560	2190	3080	3600	—	—
20	936	1230	1930	2600	3670	4300	7210	—
30	1060	1380	2180	2960	4170	4890	8280	—
50	1260	1650	2600	3570	5030	5900	10100	12800
75	1480	1930	3040	4240	5930	6970	11900	15200
100	1660	2170	3420	4770	6650	7890	13500	17300
125	1830	2390	3760	5240	7320	8710	15000	19200
150	1980	2590	4070	5680	7920	9470	16300	20900
160	2030	2660	4190	5840	8140	9900	17000	21500

<b>1-1/2" NP</b>								
.25	2600	3670	—	—	—	—	—	—
1	3040	3760	5920	8340	—	—	—	—
5	3390	4430	6640	9360	13100	15300	—	—
10	3770	4940	7440	10500	14700	17300	—	—
20	4440	5810	9150	12500	17600	20600	34600	—
30	5020	6560	10300	14200	20000	23400	39600	—
50	5990	7840	12300	17100	24100	28300	48200	61200
75	7010	9170	14400	20100	28400	33400	57100	72900
100	7890	10300	16200	22600	31600	37800	64800	82900
125	8670	11300	17800	24900	34700	41700	71700	91900
150	9380	12300	19300	26900	37600	45300	78000	100000
160	9650	12600	19900	27700	38700	46000	81000	102000

<b>2" NPT</b>								
.25	3350	4230	—	—	—	—	—	—
1	3910	4850	7640	10800	—	—	—	—
5	4370	5710	8560	12100	16900	19800	—	—
10	4870	6370	9590	13500	19000	22200	—	—
20	5730	7500	11800	16100	22600	26500	44500	—
30	6470	8460	13300	18300	25700	30200	51100	—
50	7720	10100	15900	22000	31000	36400	62100	78900
75	9040	11800	18600	25900	36600	43000	73600	93900
100	10200	13300	20900	29200	40700	48700	83600	107000
125	11200	14600	23000	32100	44800	53800	92400	119000
150	12100	15800	25000	34700	48400	58400	101000	129000
160	12400	16300	25600	35700	49800	60000	103000	132000

## Inline Screwed Filter SCMH

Inlet Pressure Bars	Differential Pressure (Line Taps)									
	1 MB	2 MB	5 MB	10 MB	20 MB	50 MB	100 MB	150 MB	250 MB	350 MB
<b>3/4" NPT</b>										
.5	9	14	22	31	44	69	96	116	145	164
1	11	16	25	36	51	80	113	136	171	197
2	14	19	31	44	63	99	139	169	215	249
3	16	23	36	51	72	115	162	197	250	292
4	18	25	40	57	81	129	181	221	282	330
5	19	28	44	63	89	141	199	242	310	364
10	27	38	60	85	121	191	270	330	424	499

<b>1" NPT</b>										
.5	11	16	26	37	52	81	114	137	170	193
1	13	19	30	42	60	94	133	160	201	231
2	16	23	37	52	74	117	164	199	252	293
3	19	27	42	60	85	135	190	231	294	344
4	21	30	47	67	95	151	213	259	331	388
5	23	33	52	74	105	166	233	285	364	427
10	31	45	71	101	142	225	317	388	498	587

<b>1-1/2" NPT</b>										
.5	56	79	126	178	250	392	545	655	814	923
1	65	91	145	205	290	454	634	767	963	1110
2	79	113	178	252	355	559	784	952	1210	1400
3	91	130	206	291	411	647	909	1110	1410	1640
4	103	145	230	325	459	724	1020	1240	1590	1860
5	113	159	252	356	503	794	1120	1360	1740	2050
10	153	216	341	482	682	1080	1520	1860	2390	2810

<b>2" NPT</b>										
.5	72	103	162	229	323	505	702	844	1050	1190
1	83	119	187	285	373	586	818	988	1240	1430
2	103	145	230	324	458	720	1010	1230	1560	1810
3	119	168	265	375	529	834	1170	1430	1820	2120
4	133	188	296	419	592	933	1310	1600	2040	2390
5	145	205	325	459	649	1020	1440	1760	2250	2640
10	197	278	440	622	879	1390	1960	2390	3070	3620

1 Bar = 100 kPa    1 MB (Millibar) = 0.1 kPa

# Capacity Tables 0.6 Specific Gravity

## Pilot Filter SCFH

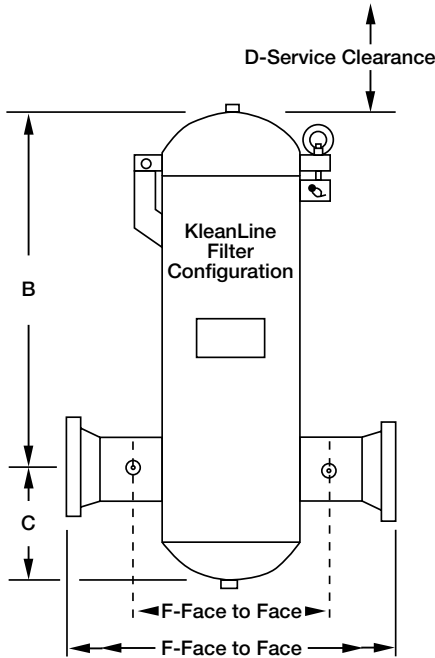
Inlet Pressure PSIG	Differential Pressure							
	1" WC	2" WC	5" WC	10" WC	20" WC	1 PSI	3 PSI	5 PSI
1/4" NPT								
.25	75	106	—	—	—	—	—	—
1	81	109	171	241	—	—	—	—
5	90	120	192	271	379	443	—	—
10	101	134	215	303	426	498	—	—
20	120	159	254	360	507	594	998	—
30	136	180	289	409	577	676	1150	—
50	164	217	347	493	695	817	1390	1770
75	193	255	409	578	820	964	1650	2110
100	218	288	463	654	925	1090	1870	2400
125	241	318	510	722	1020	1200	2070	2660
150	261	346	554	784	1110	1310	2250	2890
200	298	395	633	895	1270	1500	2580	3310
300	361	478	766	1080	1530	1810	3130	4030
500	462	611	980	1390	1960	2320	4010	5160
750	563	745	1190	1690	2390	2830	4890	6310
1000	649	858	2290	1950	2750	3260	5640	7270

## Pilot Filter SCMH

Inlet Pressure Bars	Differential Pressure (Line Taps)									
	1 MB	2 MB	5 MB	10 MB	20 MB	50 MB	100 MB	150 MB	250 MB	350 MB
1/4" NPT										
.5	1	2	3	5	7	11	15	18	23	26
1	1	2	4	5	8	13	18	22	27	31
2	2	3	5	7	10	16	22	27	34	40
3	2	3	5	8	11	18	26	31	40	47
4	2	4	6	9	13	20	29	35	45	53
5	3	4	7	10	14	22	32	39	50	59
10	4	6	9	13	19	31	43	53	68	81
15	5	7	11	16	23	37	52	64	83	98
20	6	8	13	19	27	42	60	74	95	113
25	6	9	15	21	30	47	67	82	107	126
30	7	10	16	23	33	52	73	90	117	138
40	8	11	18	26	38	60	84	104	134	159
50	9	13	21	29	42	67	94	116	150	177
60	10	14	23	32	46	73	104	127	164	194
70	11	15	24	35	50	79	112	137	177	209
80	11	16	26	37	53	84	120	146	189	223
90	12	17	28	40	56	89	127	155	200	237
100	13	18	29	42	59	94	134	164	211	250

1 Bar = 100 kPa    1 MB (Millibar) = 0.1 kPa

# Dimensions



Model No.	Conn. Size	Dimensions				Max. Working Pressure		
		B	C	D	F	175/275	720	1440
KLM-2	2" NPT (F)	14.00	5.00	5.00	9.50	39	—	—
KL-2	2" Flg.	18.00	6.00	12.00	17.00	76	224	390
KL-3	3" Flg.	21.00	7.00	12.00	18.00	95	250	443
KL-4	4" Flg.	28.00	9.00	14.00	20.00	122	423	682
KL-6	6" Flg.	26.00	10.00	16.00	24.00	198	478	876
KL-8	8" Flg.	42.00	14.00	28.00	28.00	745	1114	1818
KL-10	10" Flg.	56.00	18.00	22.00	32.00	1241	1901	3092
KL-12	12" Flg.	51.00	19.00	20.00	40.00	1531	2677	4277
Same Dimensions for All Pressure Ranges								

Carbon steel housings are rated at 180°F, for 175, 275, 720 and 1440 psi (ANSI 150#, 300# and 600#).

1/4" NPT connections on inlet/outlet piping are standard for attachment of differential pressure gauge.

1/2" NPT drain and 1/4" NPT vent connections are standard.

Housings are built to ASME Sect. VIII, Div. 1 Pressure Vessel Code and "U" or "UM" stamped where applicable.

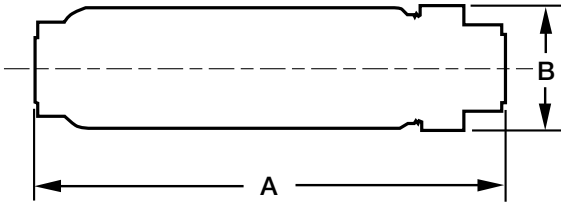
Model No.	Pressure Rating	Element Size	Number Required	Part Number 25 mic. element	Part Number 10 mic. element	"O"-Ring Part Number	Gasket Part Number
KLM-2	175	4" x 8-1/8"	1	—	78155P041	52939P016	—
KL-2	175	6" x 8-1/2"	1	78155P018	78155P017	52939P001	
	275	6" x 8-1/2"	1	"	"	52939P001	
	720	6" x 8-1/2"	1	"	"		52539P003
	1440	6" x 8-1/2"	1	"	"		52539P004
KL-3	175	6" x 8-1/2"	1	78155P018	78155P017	52939P001	
		6" x 4"	1	78155P020	78155P019		
	275	6" x 8-1/2"	1	78155P018	78155P017	52939P001	
		6" x 4"	1	78155P020	78155P019		
	720	6" x 8-1/2"	1	78155P018	78155P017		52939P003
		6" x 4"	1	78155P020	78155P019		
	1440	6" x 8-1/2"	1	78155P018	78155P017		52939P004
		6" x 4"	1	78155P020	78155P019		
KL-4	175	8" x 8-1/2"	2	78155P022	78155P021	52939P002	
	275	8" x 8-1/2"	2	"	"	52939P002	
	720	8" x 8-1/2"	2	"	"		52939P005
	1440	8" x 8-1/2"	2	"	"		52939P006
KL-6	175	8-1/2" x 14-1/2"	1	78155P031	78155P030	52939P002	
	275	8-1/2" x 14-1/2"	1	"	"	52939P002	
	720	8-1/2" x 14-1/2"	1	"	"		52939P005
	1440	8-1/2" x 14-1/2"	1	"	"		52939P006
KL-8	175	10-1/2" x 26"	1	78155P033	78155P032		52939P007
	275	10-1/2" x 26"	1	"	"		52939P007
	720	10-1/2" x 26"	1	"	"		52939P008
	1440	10-1/2" x 26"	1	"	"		52939P009
KL-10	175	15-3/4" x 20-5/8"	2	78155P035	78155P034		52939P010
	275	15-3/4" x 20-5/8"	2	"	"		52939P010
	720	15-3/4" x 20-5/8"	2	"	"		52939P011
	1440	15-3/4" x 20-5/8"	2	"	"		52939P012
KL-12	175	18" x 18"	2	78155P037	78155P036		52939P013
	275	18" x 18"	2	"	"		52939P013
	720	18" x 18"	2	"	"		52939P014
	1440	18" x 18"	2	"	"		52939P015

# KleanLine Ordering Information

## Screwed Filter

Dimensions and Weights – Lbs.

Size	Lbs.	A	B
3/4"	2	6"	1-15/16"
1"	4	9"	2-5/16"
1-1/2"	18-1/2	15"	3-7/8"
2"	19	15"	3-7/8"



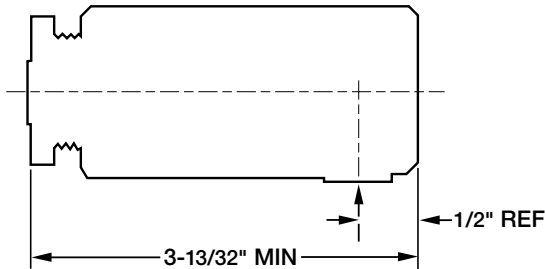
## Screwed Filter Elements

Size	Size of Element	Number Required	Part Number 5 Micron
3/4"	1-1/4" x 3-5/8"	1	73355G001
1"	1-1/4" x 6-3/16"	1	73355G002
1-1/2"	2-1/2" x 11-5/32"	1	73355G004
2"	2-1/2" x 11-5/32"	1	73355G004

## Pilot Filter

Dimensions and Weights – Oz.

Pipe Size	Oz.
1/4" NPT	15



## Pilot Filter Element

Size	Size of Element	Number Required	Part Number 5 Micron
1/4" NPT	11/16" x 1-3/4"	1	73408G001

## Ordering Information

To order an American Meter KleanLine filter, please specify:

1. Type of Filter
2. Size of Filter
3. Working Pressure
4. ANSI Flange Rating

Type	Flanged	Screwed	Pilot
Size	2, 3, 4, 6, 8, 10, 12	3/4, 1, 1-1/2, 2	1/4
Max. W.P.	175, 275, 720, 1440	160	1000
Element	10 or 25 micron	5 micron	5 micron

A Complete Family of Gas Measurement, Pressure Regulation, and Filtering Systems



**Diaphragm Meters**

American Meter's compact, lightweight, aluminum-case meters are designed to provide positive displacement accuracy for industrial or commercial loads. See bulletin SB 3510 for more information.



**Rotary Gas Meters**

RPM Series Rotary Meters are designed for commercial and industrial loads to provide accurate flow measurement and outstanding performance in the most adverse conditions. See bulletin SB 5500 for more information.



**1800/2000 Series Industrial Regulators**

1800/2000 Regulators are designed to give years of accurate regulation service with minimal maintenance. Models are available for all Class 125 service. See bulletin SB 8540.2 for more information.



**1800 PFM Series**

1800 PFM industrial regulators are designed for applications requiring medium-to-high capacity, extremely precise outlet-pressure control, and fast response to changing loads. See Bulletin SB 8551 for more information.



**Turbine Gas Meters**

High-performance meters provide accurate measurement of high-volume gas flow. Turbines are available from 3" to 12" line sizes and line pressures up to 1440 psig. See bulletin SB 4510 for more information.

Contact your AMCO/CMCO sales representative for more information.

**AMC Quality System**

QMI is Accredited by:



ISO 9002 Registered

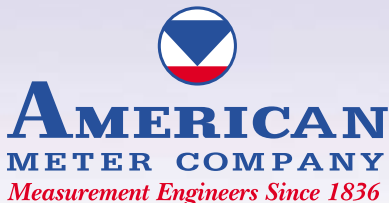


Dutch Council for Accreditation



**Axial Flow Valve**

Axial Flow Valves (AFV) provide pressure and flow control at extremely high pressures and flow rates. The AFV is compact and lightweight and has a streamlined flow path for quiet operation. See bulletin SB 9509 for more information.



Yesterday... Today... Tomorrow  
300 Welsh Road, Building One  
Horsham, PA 19044-2234  
Phone: 215/830-1800  
Fax 215/830-1890  
www.americanmeter.com



275 Industrial Road  
Cambridge, Ontario  
Canada N3H 4R7  
Phone: 519/650-1900  
Fax 519/650-1917  
www.canadianmeter.com

Represented by...



Printed in U.S.A. Core - 5000 - 6/03