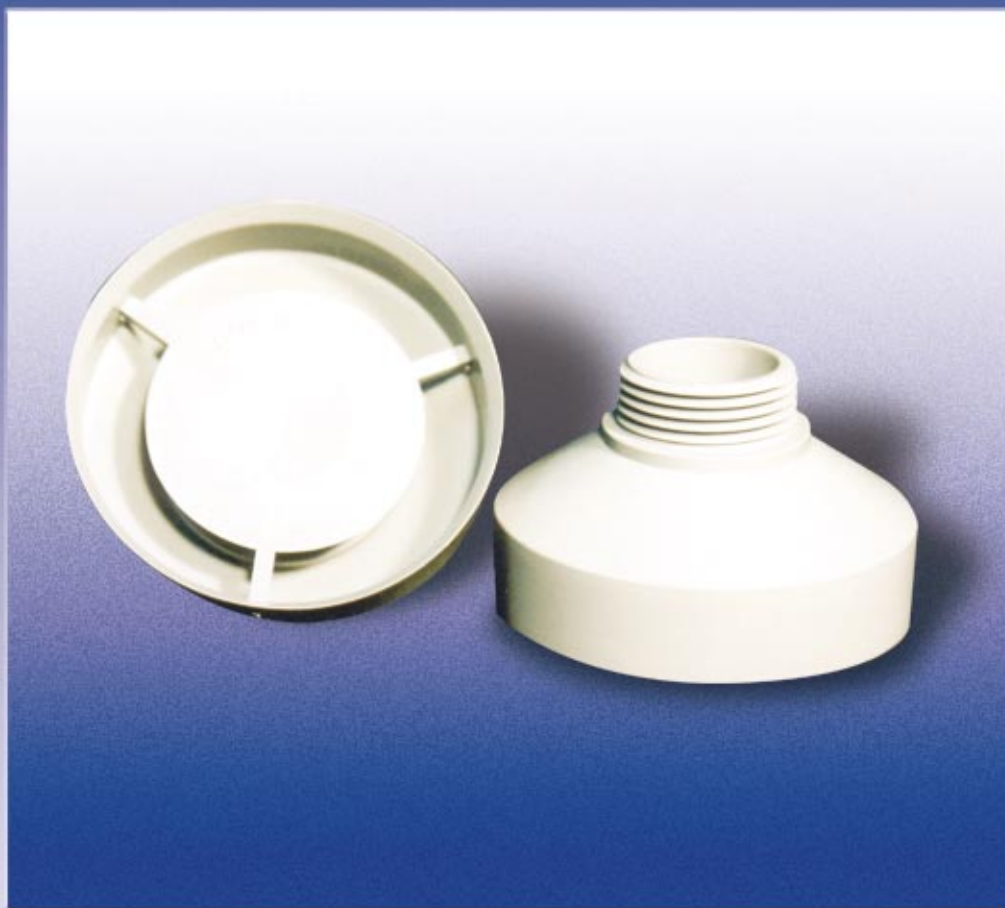


Splash Guard



CMCO



NASG

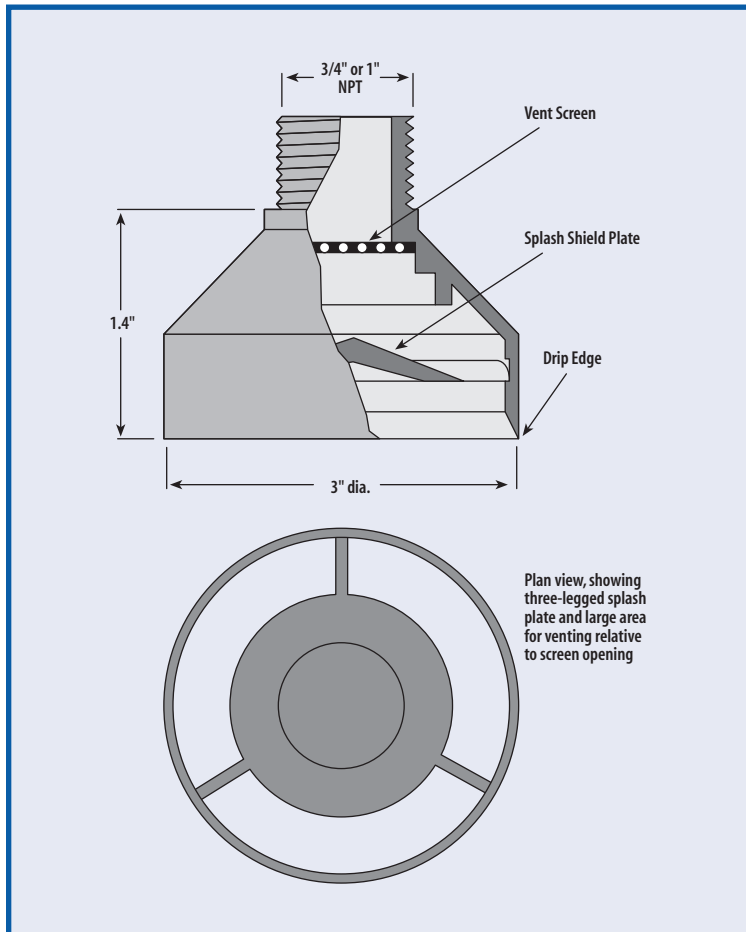


A Simple Solution For Freezing Regulator Vents

When the weather turns cold, regulator vents can freeze shut — preventing the regulator’s diaphragm chamber from breathing. This is a common problem among utilities doing business in areas that experience melting snow or freezing rain. Nothing is quite so simple or effective as Splash Guard.

During extensive testing, we identified the primary source of vent freezing as the “Splash Back Effect.” It happens when water drips close to the regulator vent and then splashes back onto the vent screen. If the vent screen is at an ambient temperature below freezing, tiny water droplets that splash onto it will give up their heat to the screen and immediately freeze.

Simple, rugged, and easily installed, Splash Guard protects the vent screen from splashes and provides a large venting area to keep regulators working effectively.



Application:	Regulators with 3/4" and 1" NPT diaphragm vents; factory or field installation
Material of Construction:	UV stabilized, weatherable, Loctite compatible resin
Strength:	Impact resistance through material and thread design
Regulator Compatibility:	Minimal affect on regulator relief characteristics. Uses same size vent screen as regulator.
Compliance:	CGA 6.18A Certified, ANSI B109.4 in August 1998, and CSA Z662-99 Sect. 12.4.10
Sizes:	3/4" and 1" NPT with stainless steel screen
Color:	Medium gray
Packaging:	19" x 16 x 9 box, quantity of 200 assemblies

Size	Part Number
3/4"	700,200
3/4" Short Thread	7000,200S
1"	700,202



275 Industrial Road
 Cambridge, Ontario
 Canada N3H 4R7
 Phone: 519/650-1900 • Fax 519/650-1917
www.canadianmeter.com

